

# G-Series Padlock

47,55,60



## Application

For general use.

## Operation

The shackle is locked by a double ball bearing mechanism.

Unlocking with 90° key rotation.

## Options

With shackle protector.

Satin chrome finish.

## Materials

Body: Brass

Shackle: Hardened Boron Alloy Steel.

Cylinder body, plug and pins:

Brass or Nickel Silver.

## Additional Features

High corrosion resistance .

Hammering resistance.

## Cylinder mechanism

Mul-T-Lock 7x7® cylinder.

7-chamber pin tumbler system.

## Keys

Reversible Nickel Silver key with plastic key head and coloured insert for identification.

## Key Security

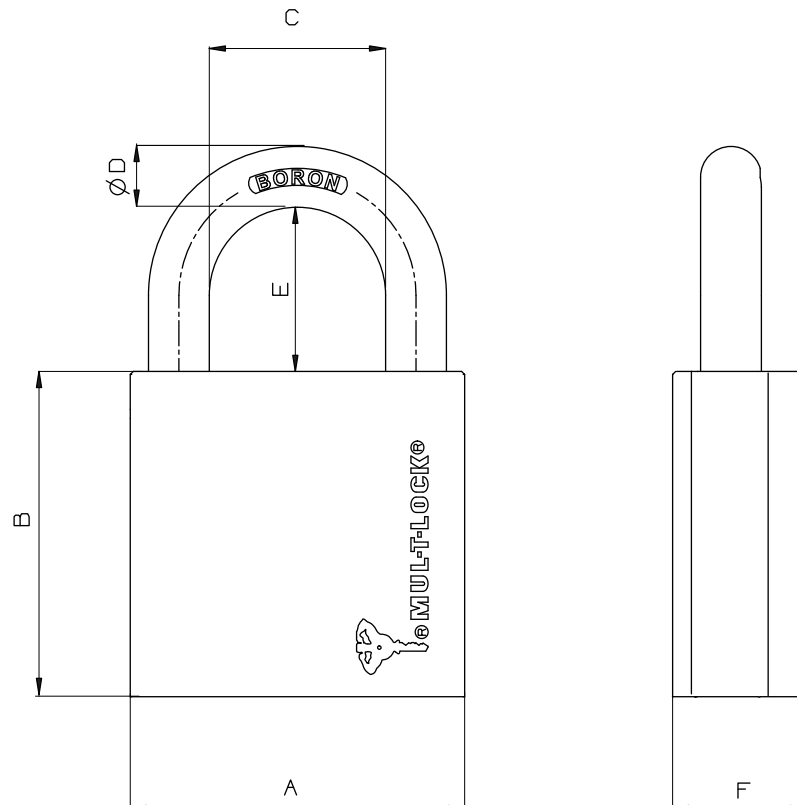
Orders for keys marked “do not duplicate” should only be made upon presentation of a key card.

## Cylinder Options

7X7®.

Keyed different, Keyed alike,

Master keyed.



Padlock		A	B	C	D	E	F
G-47	mm	47	51	25	8	26.5	21
	Inch	1.850	2.007	0.984	0.314	1.043	0.826
G-55	mm	55	54	29	10	27	22
	Inch	2.165	2.125	1.141	0.393	1.062	0.866
G-60	mm	60	55	30	12	27	26
	Inch	2.362	2.165	1.181	0.472	1.063	1.024

